



**Steering Wheel Instructions  
T128 model**

<b>Revision</b>	<b>Date (JJ/MMM/YYYY)</b>	<b>Author</b>	<b>Modification</b>
01	17/JUL/2024	Arnaud BENET	Creation

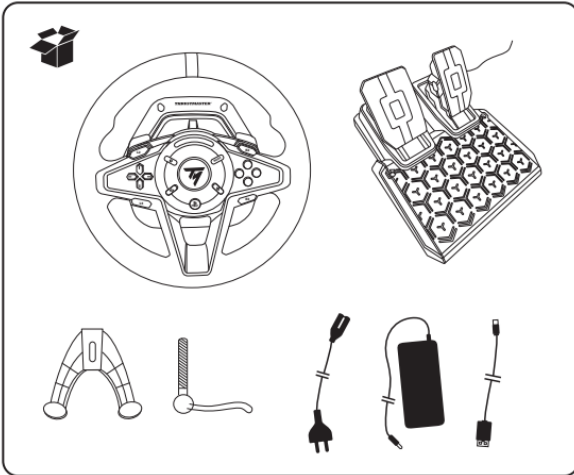
# Sommaire

1	Contents of the packages .....	3
2	Preparation .....	3
3	Steering wheel connections .....	4
4	Attachment .....	5
1.1	Steering wheel deck .....	5
2.1	Pedals .....	5
5	Computer instructions .....	7

# 1 Contents of the packages

1 package for the steering support

1 package for the steering wheel with the following elements:



*Wheel + Pedals*

*Fixing kit*

*Power supply, power cord and computer cord*

- Open the support box.



- Take out tools from **B Pocket**. In the **A pocket** you will find the kit for pedals bracket.

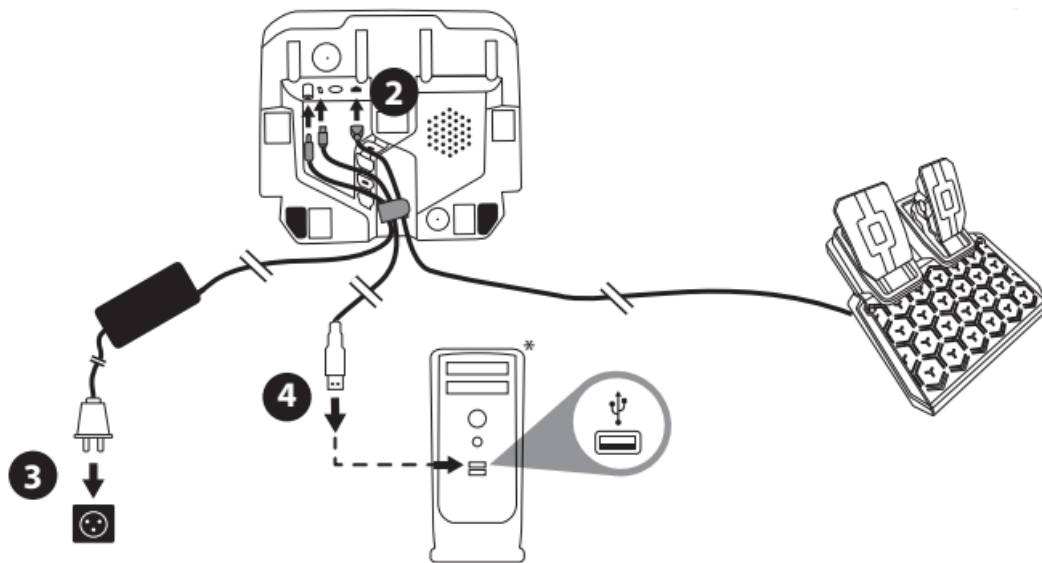
## 2 Preparation

- Unscrew a little the plate with tools (flat key and Allen key).
- Adjust the steering wheel support perpendicular to the mast, then tighten it firmly; the screw will be inaccessible once the steering wheel is mounted.



### 3 Steering wheel connections

❑ Connect the different cables following this diagram before fixing the steering wheel on the plate.



From Left to Right

- 1- Power socket
- 2- USB-C computer connection
- 3- Optional socket
- 4- RJ11 pedals



Use the guides and the strap to position the cables without risk of pinching/damage during installation on the support.



## 4 Attachment

### 1.1 Steering wheel deck

- Place **screw B** inside thread **C** under the steering wheel.
- Adjust the steering wheel on the mast with **part A**.

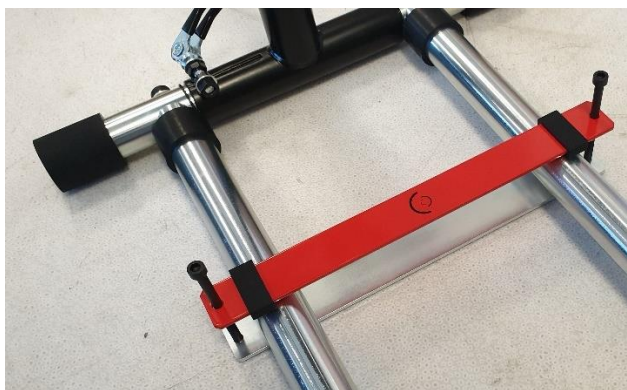


### 2.1 Pedals

- Place the rubbers on the red bar as shown in the image below.
- Position the pedal attachment on the steering wheel support.
- Tighten the screws halfway to allow movement of the pedal attachment.



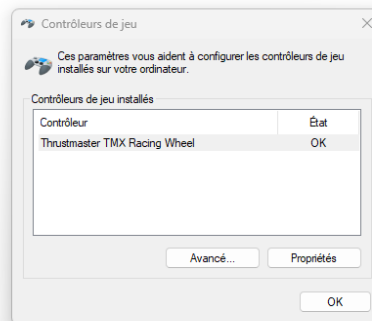
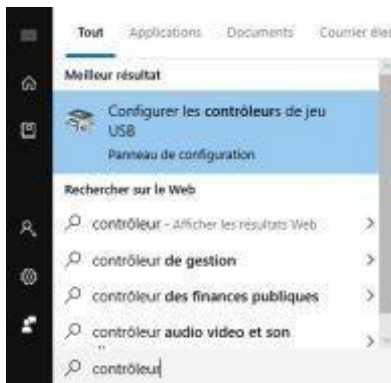
- Unpack the pedals and position it as shown in the image below.
- Hold the pedals by screwing the fixing bar around them with the Allen wrench.





## 5 Computer instructions

- Install the Thrustmaster's driver for T128 (it is the same for both T150/T128 and TMX steering wheel)
- Open the Start Menu (Windows key on the keyboard) and enter "usb" in the search bar.
- Select "Configure USB game controllers".
- Click on "Thrustmaster T128 Racing Wheel" and "Properties".



- In the "Test Input" tab, select the "Combined" option. ”
- In the "Gain settings" tab, set the "overall Strength of all forces" option to 100%.
- In the "Auto center settings" tab, select the "by the wheel" option and set the value to 70%

